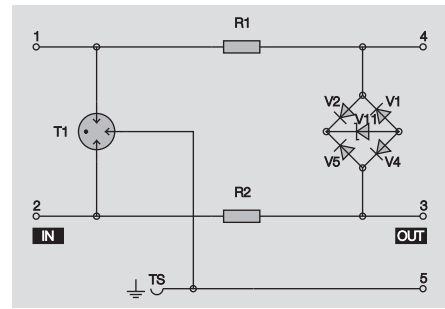
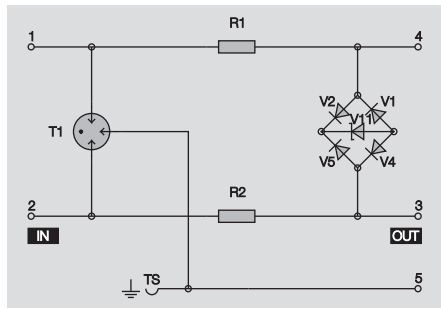
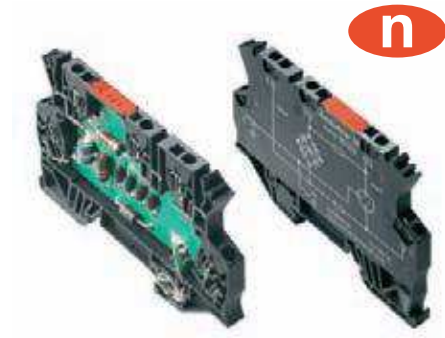


2- stage protection with tension clamp connection

- Slimline surge protection terminal with tension clamp connection
- 6 mm slimline fine surge protection
- fast wiring thanks to TS contact and tension clamp connections
- can be cross-connected using ZQV

MCZ OVP HF 5V 0.3A

MCZ OVP HF 12V 0.3A



Technical data

Technical data	
Rated voltage (AC/DC)	5 V
max. continuous voltage, U _c (DC)	10 V
max. continuous voltage, U _c (AC)	7 V
Operating current, I _{max}	0,3 A
Volume resistivity	2.50 Ω
Gas discharge tube	90 V
Varistor	
Suppression diodes	
Cut-off frequency (-3 dB) at load impedance	100.0 MHz (measured in 100 Ω system)
Discharge current, max. (8/20 μs)	5 kA
Protection level on output side sym., input 1 kV/μs, typ.	15 V
Protection level on output side sym., input 8/20 μs, typ.	15 V
Protection level on output side unsym., input 1kV/μs, typ.	15 V
Protection level on output side unsym., input 8/20 μs, typ.	30 V
Protection level on output side sym., input 10/350 μs, typ.	
Protection level on output side unsym., input 10/350 μs, typ.	
Lightning test voltage I _{imp} (10/350 μs)	
Specification class to IEC 61643-21	C1 ;C2 ;C3 ;D1
Design	terminal
Storage temperature, min./max.	-40 °C/85 °C
Operating temperature, min./max.	-40 °C/60 °C
Approvals	CE

Dimensions	
Clamping range (rating- / min. / max.)	mm ² 1.5 / 0.5 / 1.5
Length x width x height	mm 91 x 6 x 63.5

Note

Ordering data

Version

Note

Accessories

Note
End plate AP MCZ 1.5: 1046410000

Rated voltage (AC/DC)	12 V
max. continuous voltage, U _c (DC)	18.5 V
max. continuous voltage, U _c (AC)	13 V
Operating current, I _{max}	0,3 A
Volume resistivity	2.50 Ω
Gas discharge tube	90 V
Varistor	
Suppression diodes	
Cut-off frequency (-3 dB) at load impedance	100.0 MHz (measured in 100 Ω system)
Discharge current, max. (8/20 μs)	5 kA
Protection level on output side sym., input 1 kV/μs, typ.	25 V
Protection level on output side sym., input 8/20 μs, typ.	25 V
Protection level on output side unsym., input 1kV/μs, typ.	25 V
Protection level on output side unsym., input 8/20 μs, typ.	25 V
Protection level on output side sym., input 10/350 μs, typ.	40 V
Protection level on output side unsym., input 10/350 μs, typ.	
Lightning test voltage I _{imp} (10/350 μs)	
Specification class to IEC 61643-21	C1 ;C2 ;C3 ;D1
Design	terminal
Storage temperature, min./max.	-40 °C/85 °C
Operating temperature, min./max.	-40 °C/60 °C
Approvals	CE

Clamping range (rating- / min. / max.)	mm ² 1.5 / 0.5 / 1.5
Length x width x height	mm 91 x 6 x 63.5

Note

Type	Qty.	Order No.
MCZ OVP HF 5V 0,3A	10	8948620000

Note

Rated voltage (AC/DC)	12 V
max. continuous voltage, U _c (DC)	18.5 V
max. continuous voltage, U _c (AC)	13 V
Operating current, I _{max}	0,3 A
Volume resistivity	2.50 Ω
Gas discharge tube	90 V
Varistor	
Suppression diodes	
Cut-off frequency (-3 dB) at load impedance	100.0 MHz (measured in 100 Ω system)
Discharge current, max. (8/20 μs)	5 kA
Protection level on output side sym., input 1 kV/μs, typ.	25 V
Protection level on output side sym., input 8/20 μs, typ.	25 V
Protection level on output side unsym., input 1kV/μs, typ.	25 V
Protection level on output side unsym., input 8/20 μs, typ.	25 V
Protection level on output side sym., input 10/350 μs, typ.	40 V
Protection level on output side unsym., input 10/350 μs, typ.	
Lightning test voltage I _{imp} (10/350 μs)	
Specification class to IEC 61643-21	C1 ;C2 ;C3 ;D1
Design	terminal
Storage temperature, min./max.	-40 °C/85 °C
Operating temperature, min./max.	-40 °C/60 °C
Approvals	CE

Clamping range (rating- / min. / max.)	mm ² 1.5 / 0.5 / 1.5
Length x width x height	mm 91 x 6 x 63.5

Note

Type	Qty.	Order No.
MCZ OVP HF 12V 0,3A	10	8948610000

Note

End plate AP MCZ 1.5: 1046410000
